

## RPCS-001 Rugged Portable Computing System

*Highly Configurable Mission-Ready, Airline Carry-on Sized Mobile Compute Platform*

**LCR Embedded Systems' RPCS-001** provides a highly portable and customizable computing system in a hardened enclosure that is ready for your most demanding applications and punishing environments.

- Designed for rapid deployment
- Easily preconfigured/modified internal electronics
- Airline carry-on sized roller case with a telescoping handle for superior convenience and mobility
- A variety of powerful mobile embedded rugged computer options
- Customizable external I/O routed to a top panel under case lid
- Fanless, nearly silent operation
- Multiple hard drive, network, and AC/DC power options



### Computing

Processor: Intel Core i3/i5/i7, Dual or Quad core options

Memory: A variety of options based on customer requirements

### I/O Options

Programmable lid-mounted all-weather LCD display  
readable in sunlight, touchpad, 6-button keypad  
Optional dual simultaneous display  
Standard VGA (DB-15HD) port display, optional DVI-I,  
HDMI 1.3, 24-bit LVDS  
CPU power and hard drive LED indicators

Pre-configurable RJ-45 ports  
Two GigE NIC controllers, four GigE hub ports  
Add'l NIC controllers available on expansion board  
Four external USB2.0 ports, 6 internal  
One RS-232 standard, two optional  
Expansion: 1xPCIe/1xPCIe 32-bit, 33MHz/2xMiniPCI

### Storage

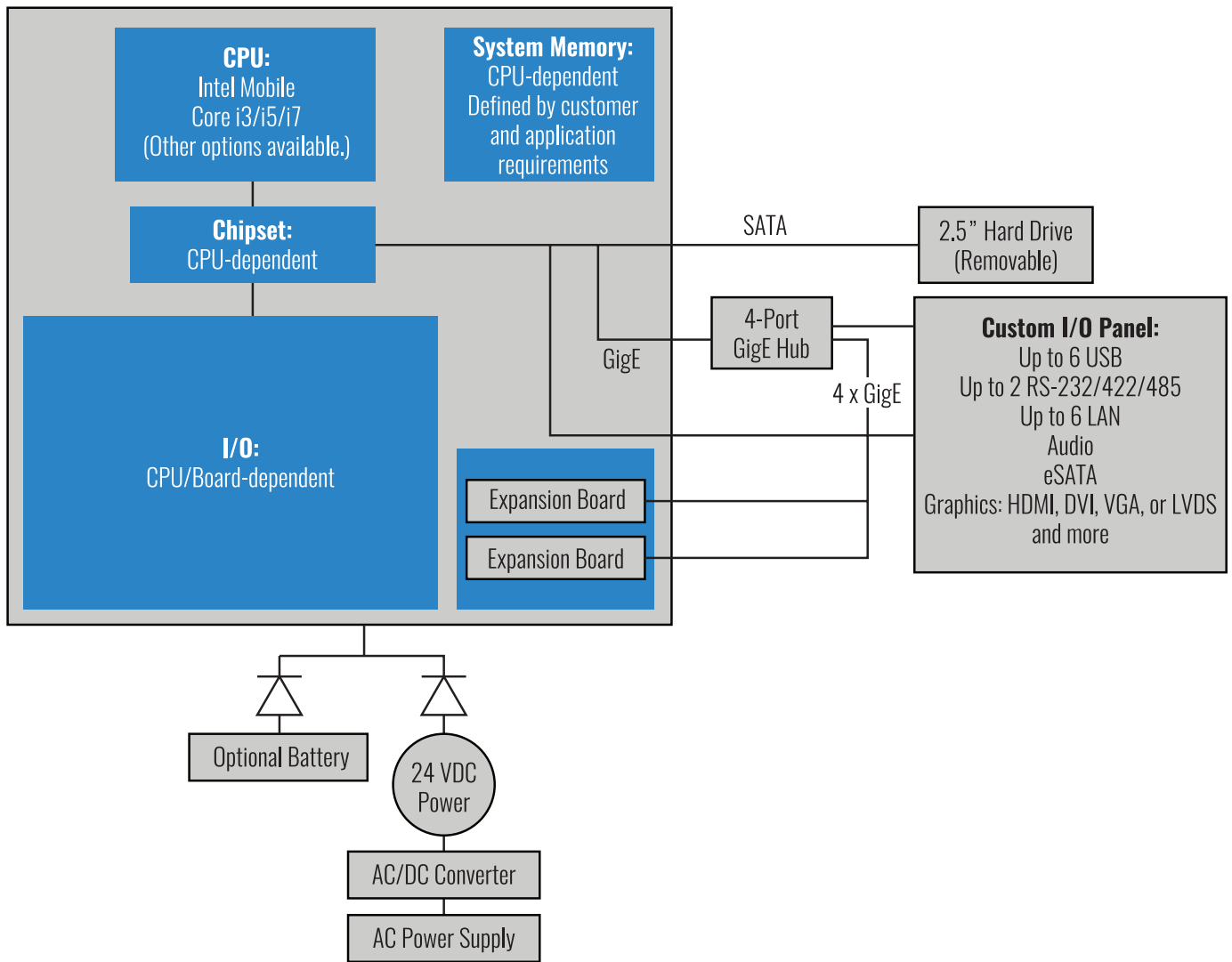
System accepts standard 2.5" SATA drives,  
rotational or solid-state  
Two internal 2.5" SATA bays

One internal CD Card Type I/II  
Removable drives mounted in sled, inserted via  
top panel, internal drives mounted inside box

### Physical & Power

HWD: 9" x 13.8" x 22"  
Weight: <40 lb in typical configuration  
Watertight, dust/sandproof in transit  
Storage pouch for laptops, cables, etc.  
Internal shock mounts

Total power: 60W maximum  
100-240 VAC 50/60 Hz, 1/5 A  
28 V nominal DC (9034 VDC @ 9 A - 2.4 A  
Optional MIL-STD-2590 battery, cable for automatic  
failover, can provide 30-90min run time



Lid must be open during operation. Cooling is achieved via screened vents in top panel and passive heatsink.

As shown on the front page, storage pouches are included in the lid for cables and other accessories. When closed, the convenient rolling case fits within airline carry-on size requirements.