

LSF-02 Compute/Communications Integrated System

Mission-Ready Tactical Communications Platform, Ideal for Mobile and Man-Pack

LCR Embedded Systems' fully integrated, LSF-02

Compute/Communications Platform is a highly customizable, rugged tactical compute and communications platform, ideal for vehicle and man-pack applications -- all in a ruggedized, robust, environmentally sealed package that weighs less than 20 lbs.

- COM-Express-based architecture provides flexibility to meet different performance and power envelopes
- Support for two Mini-PCIe slots
- Customizable payload via room for multiple expansion and add-in cards
- Optional space for two MIL-2590 batteries



Computing

7th Gen Intel Core™ i7-7820EQ 3.0/3.7GHz (Turbo), 45W Quad-core processor to support EPC functions
QM175 Mobile Chipset
2x16GB DDR4-2133/2400 ECC SO-DIMM dual channel

Storage & I/O

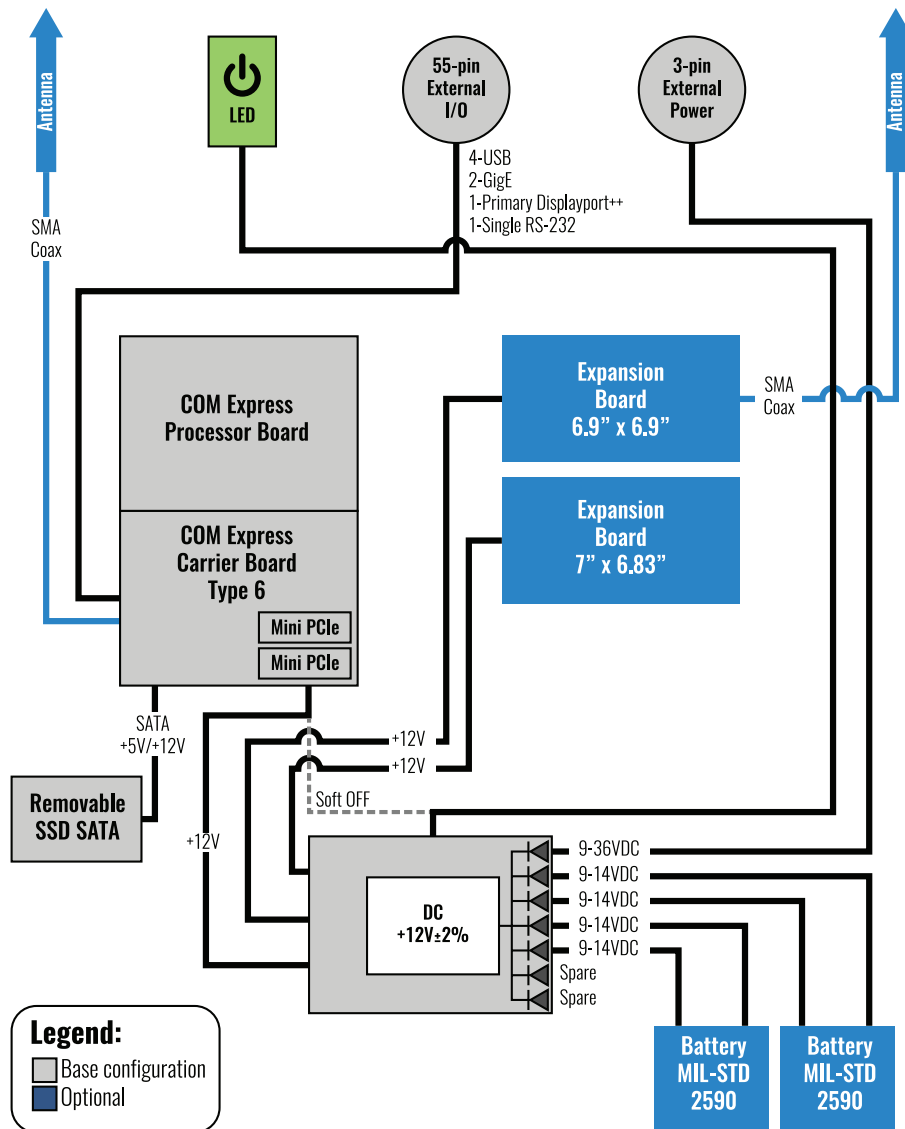
Removable/Accessible 2.5" SSD, Optional mSATA
4 USB • 2 GigE • VGA Display port
RS-232 or RS-422/485 (no handshake)

Power

Wide 9-36VDC input voltage
Redundant, field-swappable battery system using SS-2590 rechargeable Li-ion rugged battery packs attached externally to sealed case allowing for continuous operation
Vehicle power interface to operate with batteries removed

Physical

HWD: 4.6" x 9.5" x 18.5" • Weight: < 20lb w/Batteries
Operating temperature: -40C to 70C • Operating relative humidity: 0% to 95% • Watertight: IP67
Shock: MIL-STD-810F Method 516.5 (30G/11ms, half sine)
Vibration: 7 Grms, IEC 60068-2-64, 5-500Hz, 1 Octave/min
Fanless operation • Virtually silent



- Triple display port supports up to 3840x2160 px / 60 Hz
4096x2304 px / HDMI
- Carrier Module Rugged Type 6 Carrier
- Supports Basic/Compact modules
- Secondary Gigabit Ethernet
- Mini PCIe Expansion Sites:
WiFi, Bluetooth, Storage
Half- or Full-Length
USB, mSATA Connectivity